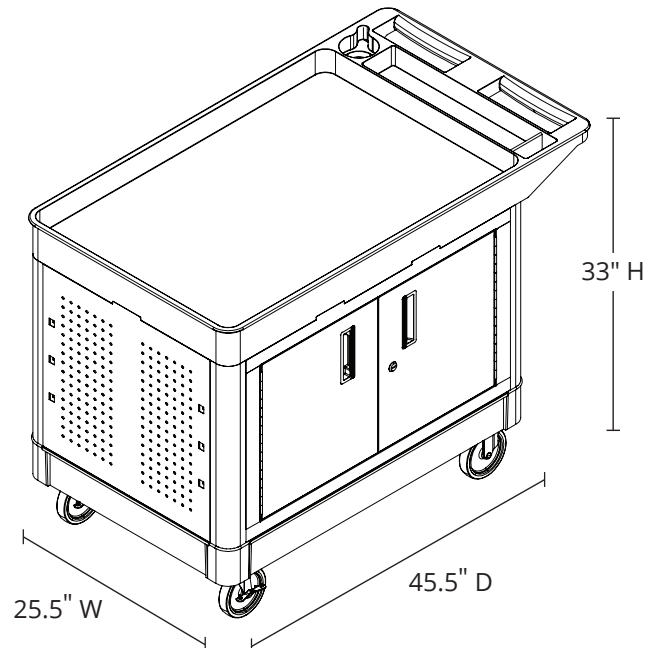


XLC11C1

45.5" X 25.5" Industrial Work Cart with Locking Cabinet

Product Specifications

Item Number	XLC11C1
Material	Legs: Polyvinyl chloride (PVC) Shelves: High-density polyethylene (HDPE) with steel reinforcements Cabinet and Inner Shelf: Powder-coated steel
Overall Dimensions	25.5" W x 45.5" D x 33" H
Weight	74.2 lbs.
Shelf Quantity	3
Shelf Dimensions	Top and Bottom: 24.5" W x 36.5" D Adjustable Middle Shelf: 37" W x 14" D
Shelf Depth	Top and Bottom: 2.5" Adjustable Middle Shelf: N/A
Distance Between Shelves	Bottom to Top: 22" Bottom to Middle: 8.75", 12.75", or 16.75" Middle to Top: 5.75", 9.75", or 13.75"
Casters	5" heavy-duty; two casters include locking brakes
Additional Features	Locking cabinet, ladder hanger, movable dual storage hooks, movable spool brackets, peg board, cup holder, small item storage trays (positioned near handle)
Pegboard	1/4" holes, spaced 1" apart
Spool Holder	Distance from Bottom Shelf: 9" or 13" Capacity: Spools up to 6.5" in diameter
Storage Hooks	Two sets of two, 3.25" D x 3.5" H, spaced 29" apart
Storage Hook Mount Holes	5/8" x 5/8" (six per side)
Cup Holder	3.5" diameter
Storage Tray Dimensions	Large: 4" W x 18" D x 2" H Small: 2" W x 4" D x 2" H
Weight Capacity	Total: 500 lbs. (250 lbs. per shelf, evenly-distributed) Middle Shelf: 55 lbs. Ladder Holder: 25 lbs. Storage Hooks: 50 lbs. Spool Holder: 50 lbs.
Made in USA	Cart: Yes Cabinet and Accessories: No
Shipping Method	Ground
Shipping Carton Dimensions	Box 1: 25" W x 45" D x 8" H Box 2: 40" W x 22.6" D x 6.1" H
Shipping Weight	Box 1: 46 lbs. Box 2: 43 lbs.
Assembly Required	Yes



To Order, Call Your
Sales Representative or
800-323-4656