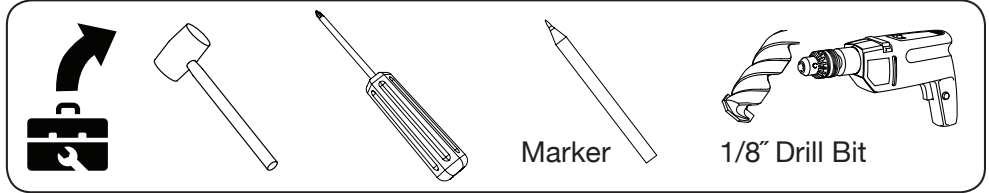


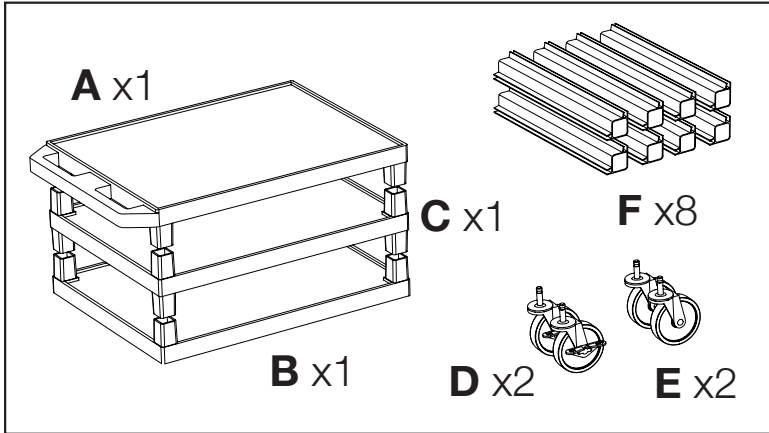
www.luxorfurn.com

3 Shelf Presentation Station Instructions

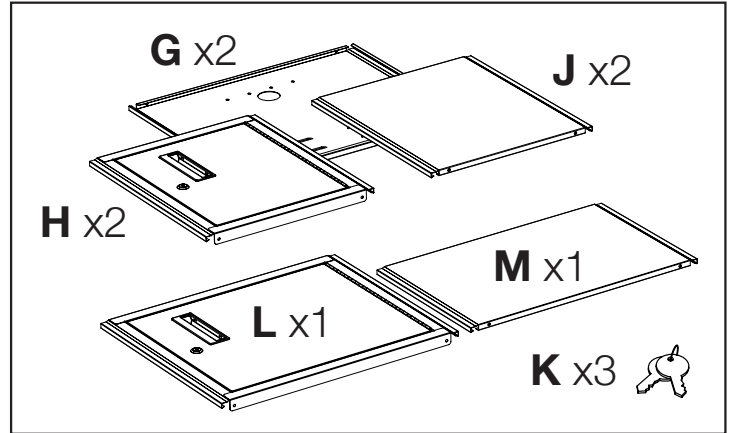
w/ Cabinets, Pullout Shelves & Drop Leaf Shelf



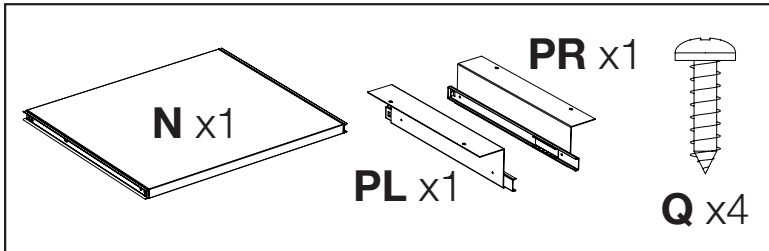
Shelf Box



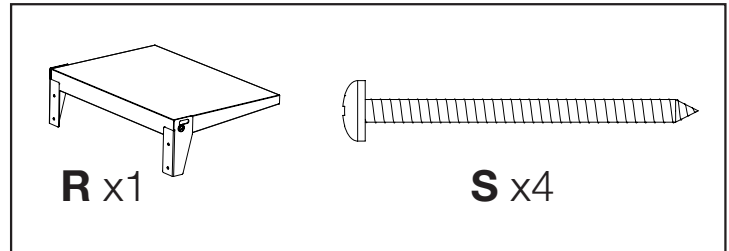
Cabinet Panel Box



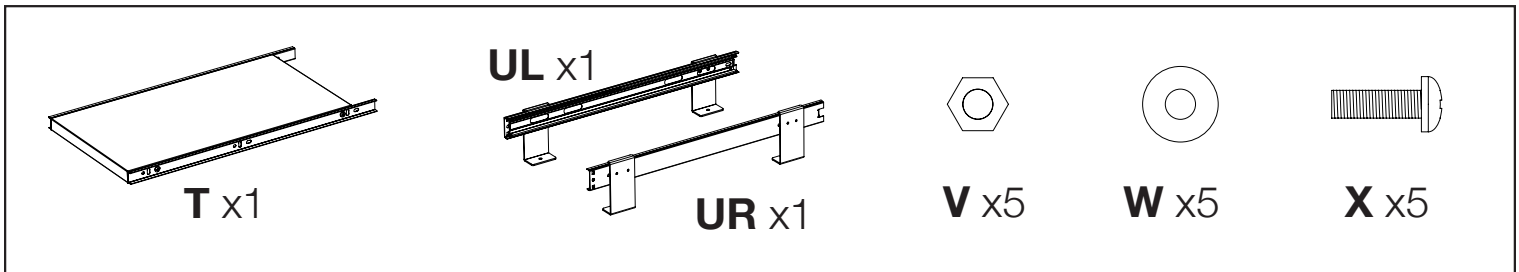
TKS Box



TDDS Box

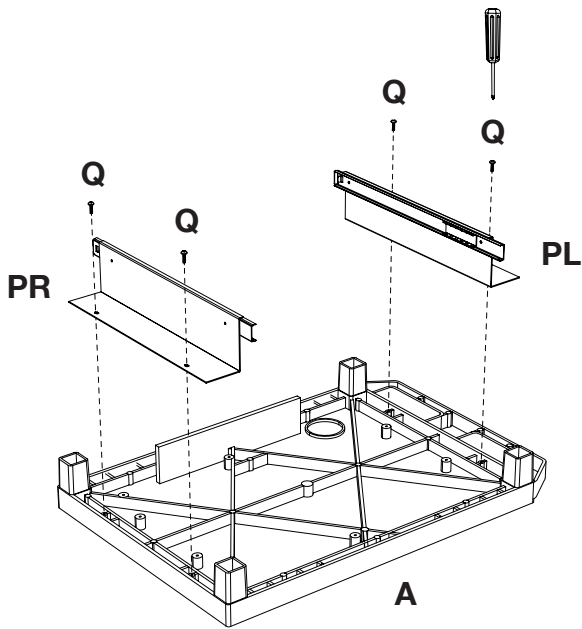


TPOS Box



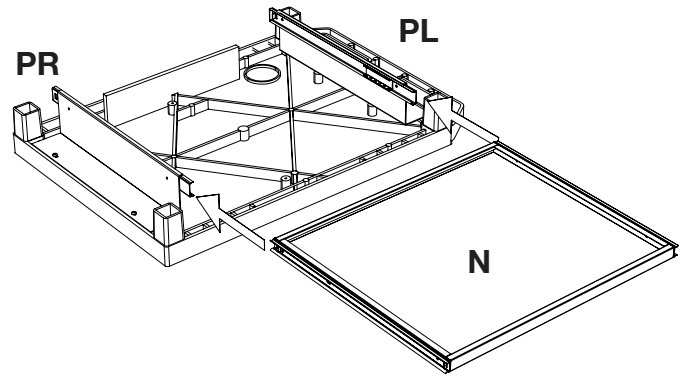
- 1** Attach casters **E** and **D** to the shelf box **B**.
- 2** **IMPORTANT:** Flip shelf **B**, and lock the 2 locking casters **D** before assembling the unit.

3

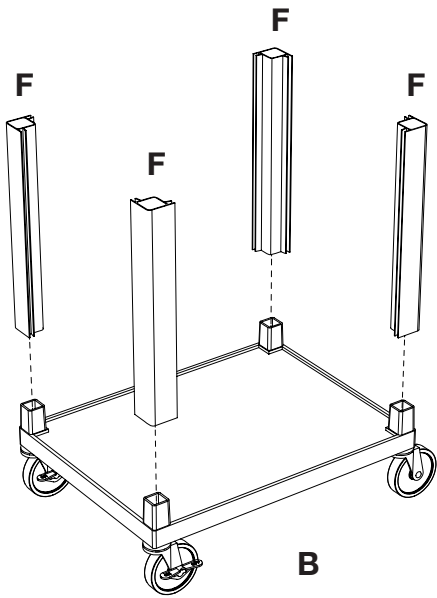


4

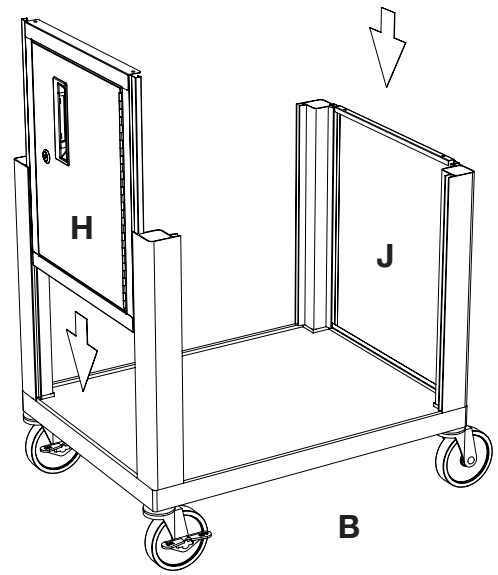
Slide keyboard tray N into tracks PR & PL until the track snaps and locks into place.



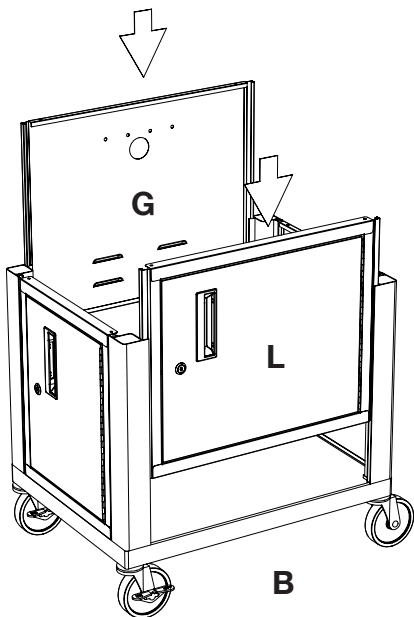
5



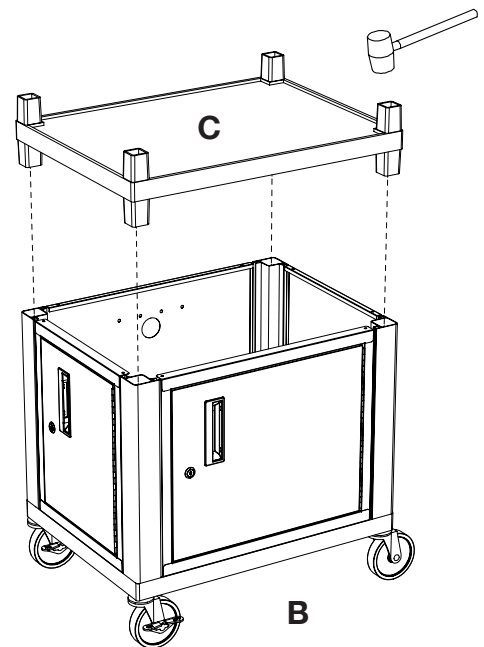
6



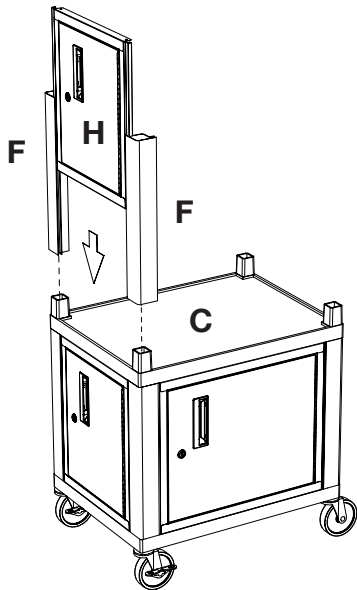
7



8

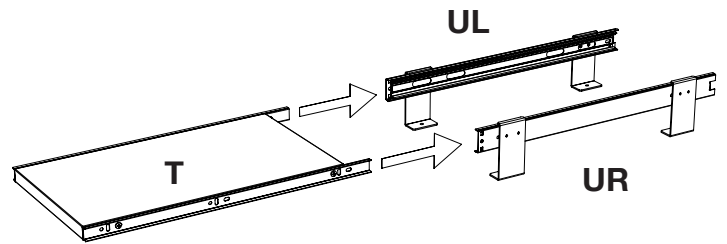


9



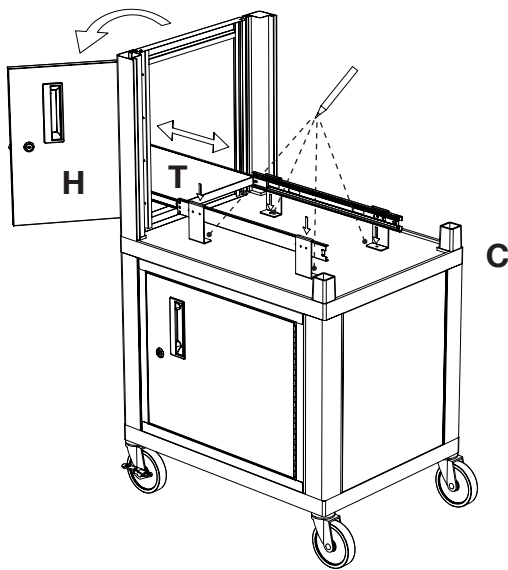
10

Slide pullout tray **T** into tracks **UL** & **UR** until the track snaps and locks into place. 04/10/15



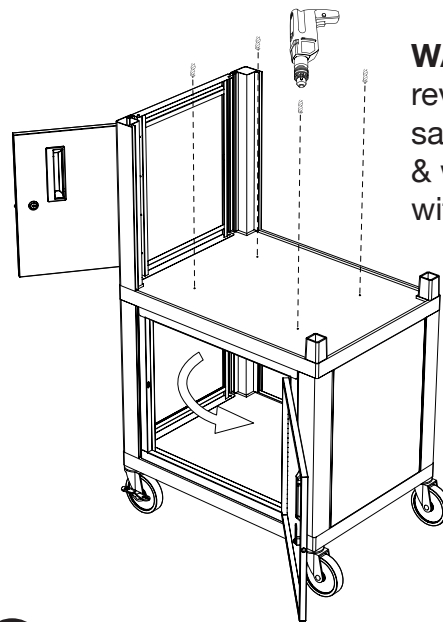
11

Making sure pullout shelf **T** can move freely between cabinet panel **H**. Use a marker to mark the four drill hole locations.



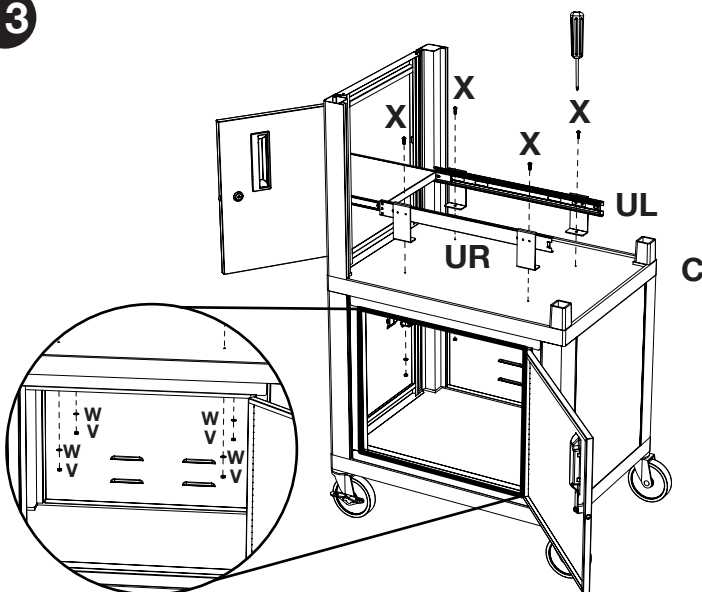
12

Drill Hole using the marked locations.

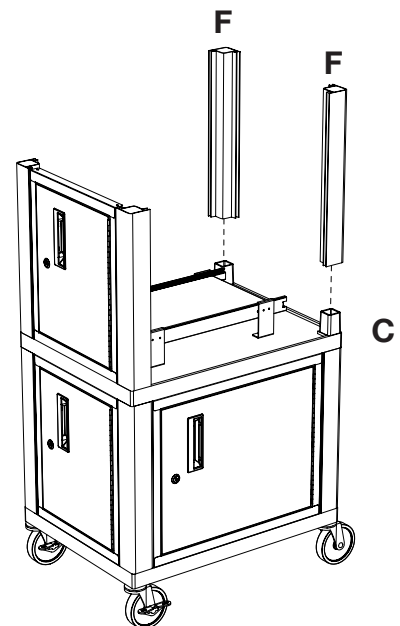


WARNING: Please review and follow all safety instructions & warnings included with your drill.

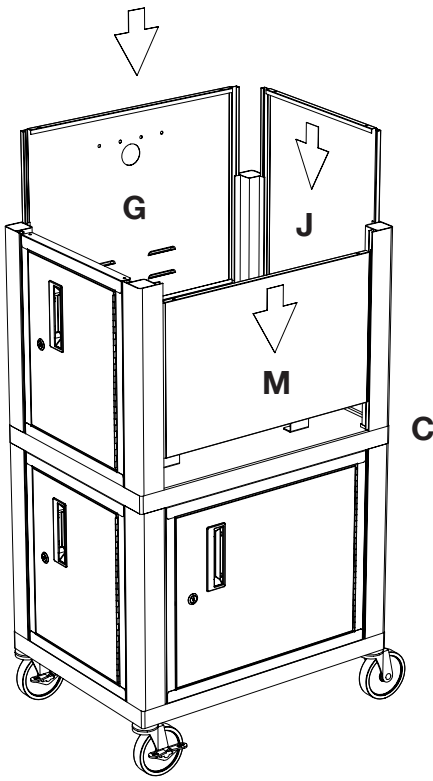
13



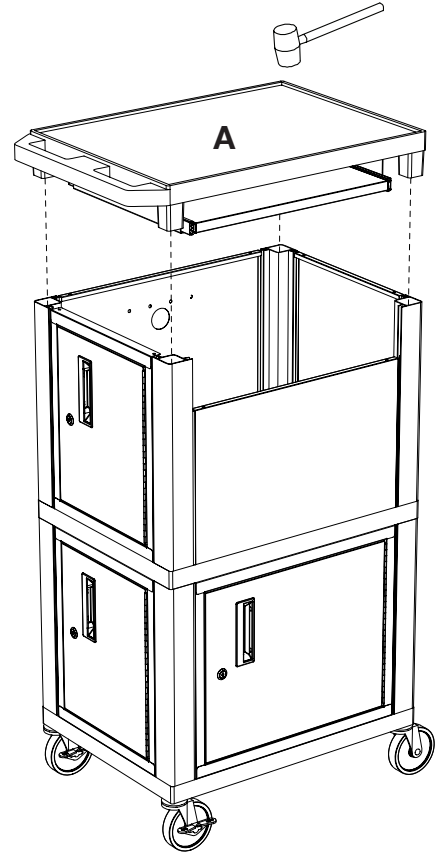
14



15



16

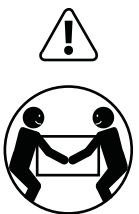
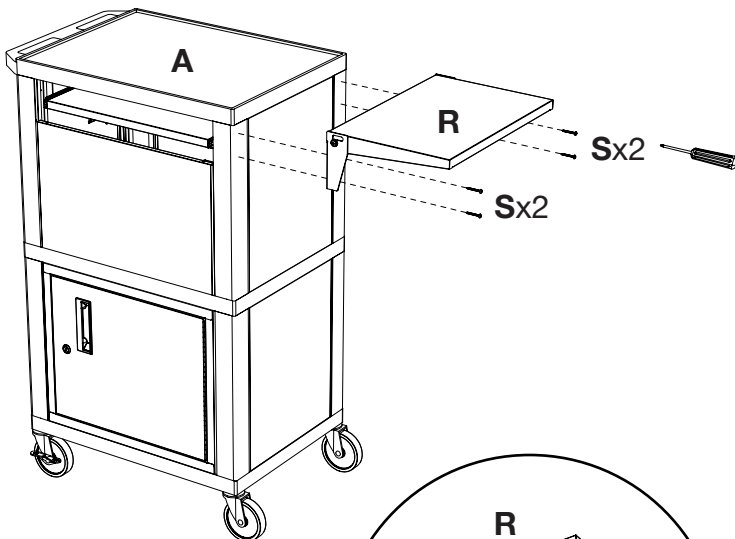


17

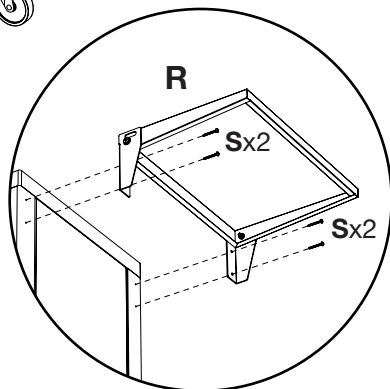
With the help of another person screw drop leaf R using screws S into the fluted legs F.

18

Assembly Complete.



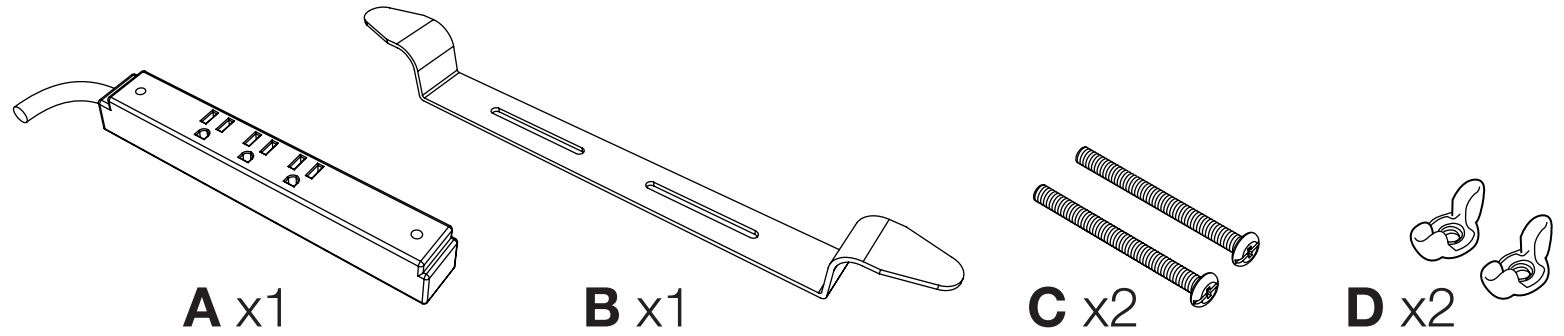
Assistance
Required



Electric Assembly Instructions

04/06/15

Number of outlets
may vary.



1

