

www.luxorfurn.com  
www.hwilson.com

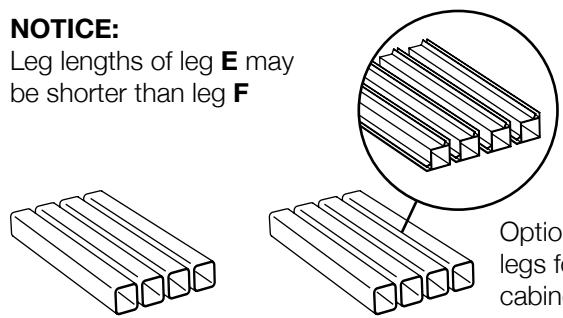
### Parts List

### Tools Required

- Rubber Mallet

#### NOTICE:

Leg lengths of leg **E** may be shorter than leg **F**

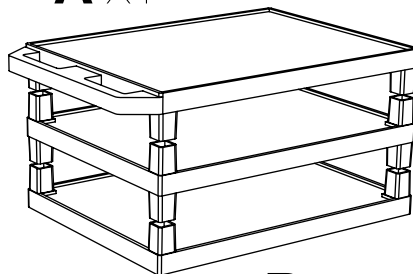


**E** x4

**F** x4

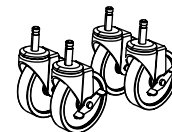
Optional fluted legs for units with cabinet pack

**A** x1



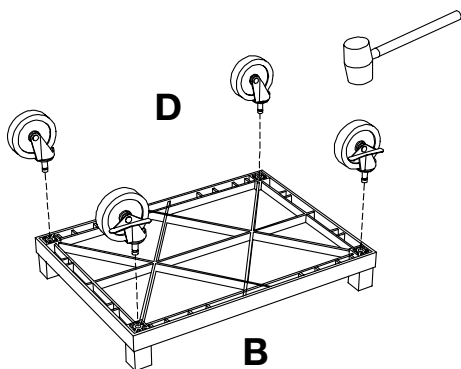
**B** x1

**C** x1



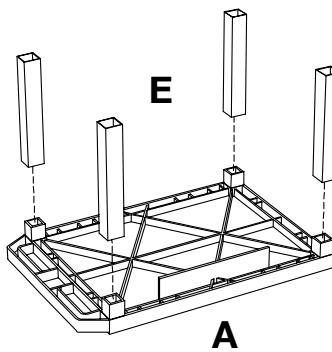
**D** x4

**1**

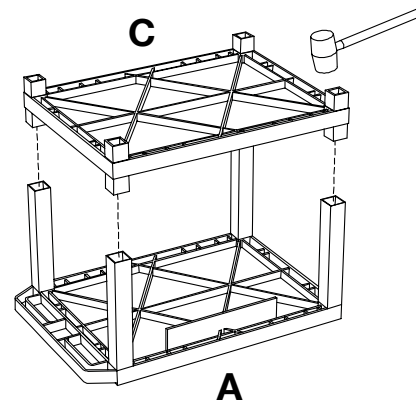


**2**

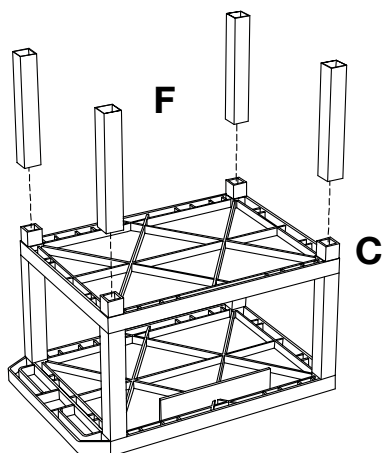
Install optional cabinet pack / pullout shelf / locking drawer assembly after step 1



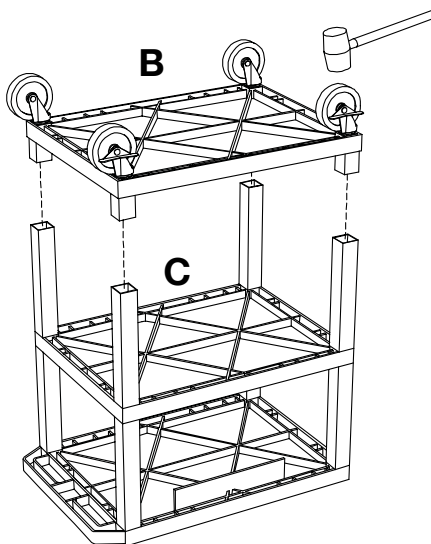
**3**



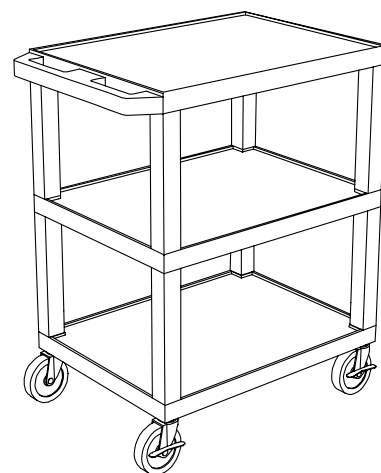
**4**



**5**



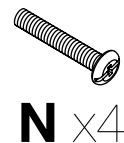
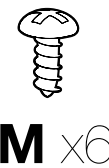
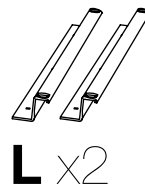
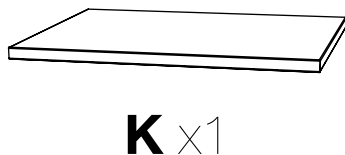
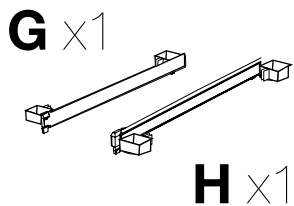
**6**



**Parts List**

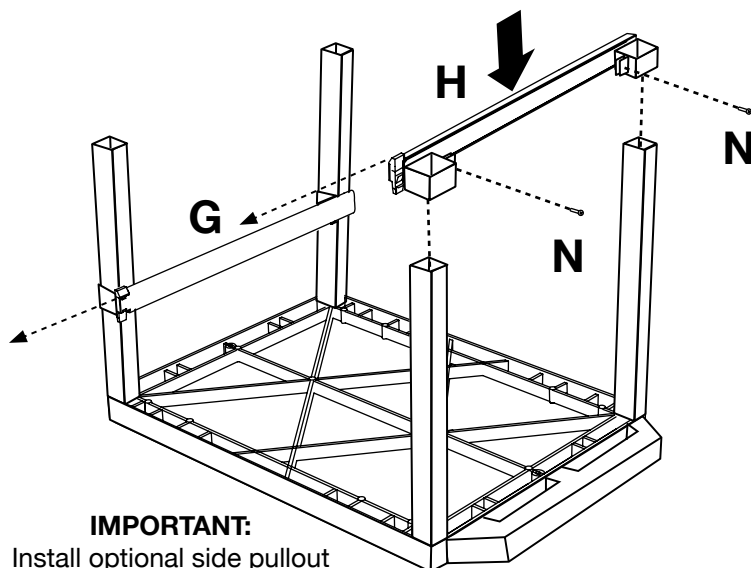
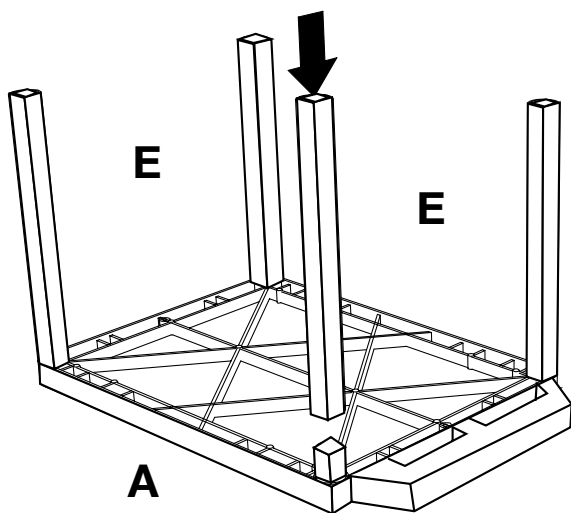
**Tools Required**

- Phillips Screwdriver



**1** Lay the top shelf of your Tuffy cart upside down and install the four legs intended for this shelf.

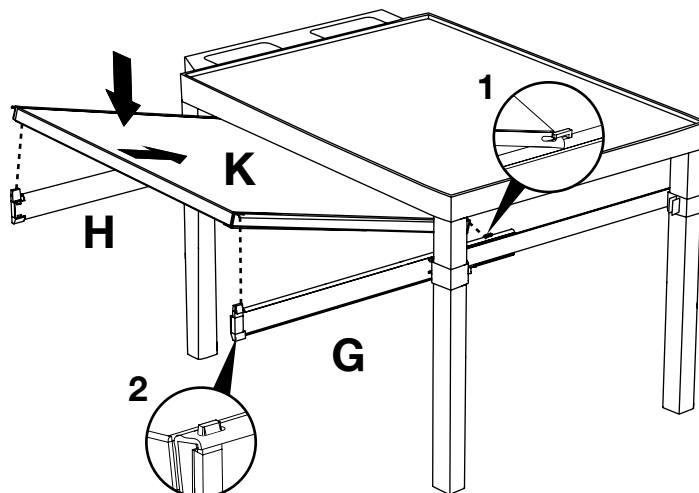
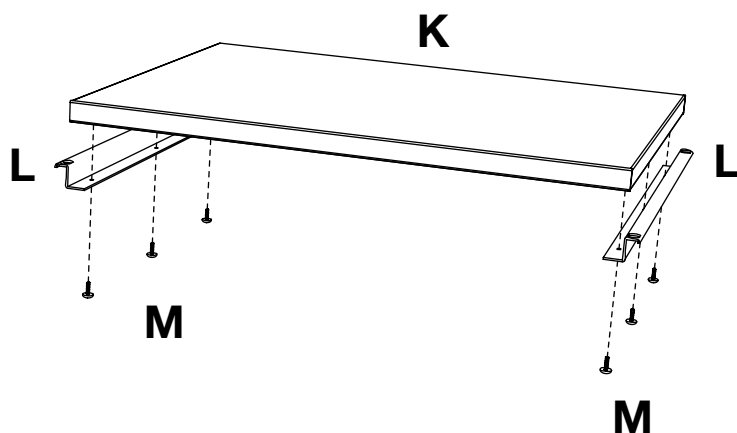
**2** Slide and align runner **H** & **G** onto the legs and tighten screw **N** with a screwdriver.



**IMPORTANT:**  
Install optional side pullout shelf **AFTER** step 2

**3** Take pullout shelf **K** and bracket **L** and screw together into the unfinished surface of shelf **K** with screw **M**.

**4** Mount pullout shelf **K** to runner **H** & **G** so that the edge of the shelf snaps into the runner hooks.



You have now completed your pullout shelf.