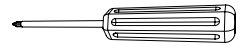


File Cart with Locking Cabinet and Storage Bins

Tools Required:



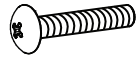
Adjustable wrench



Phillips Screwdriver

Assembly Instructions

Parts Key



1 x 20
M6x35mm



2 x 16
M4x10mm



3 x 4
M6x16mm



4 x 6
M4x10mm



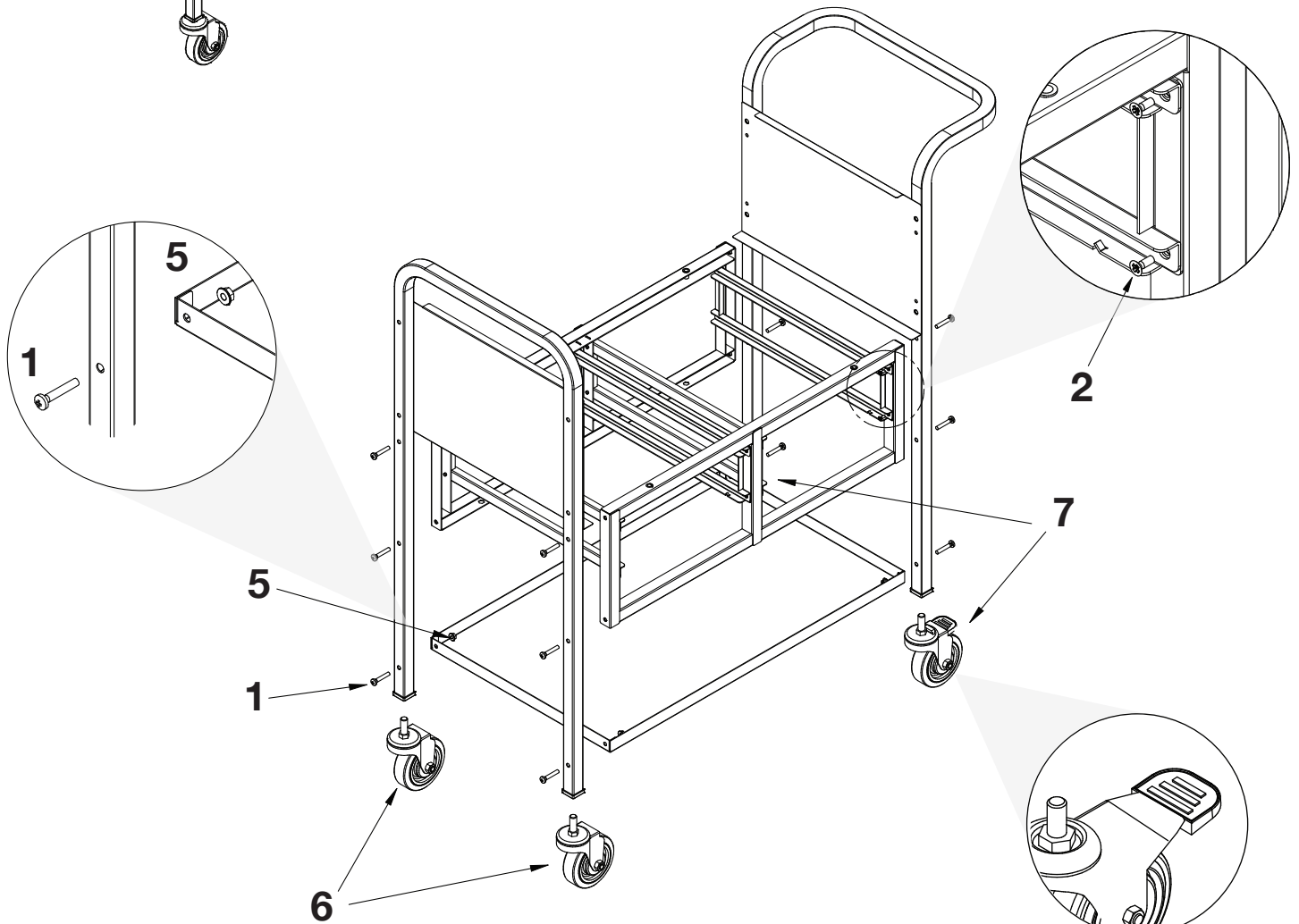
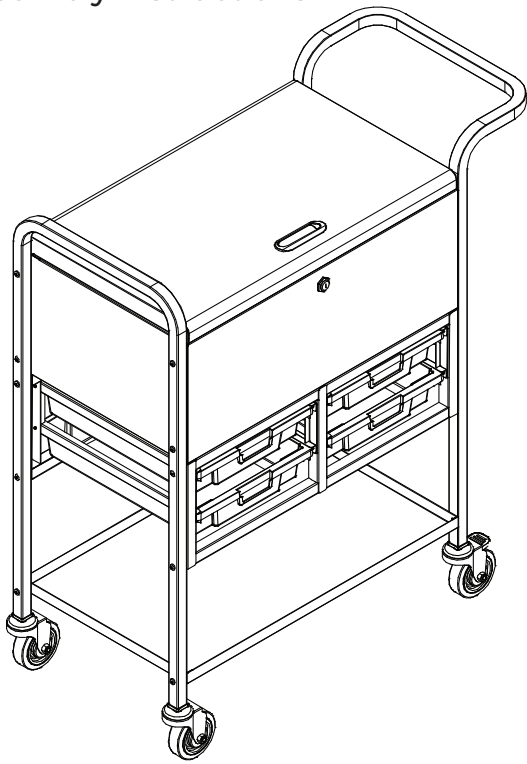
5 x 8



6 x 2



7 x 2



locking caster

