

MEDIUM-DUTY UTILITY CART



UCPL2-B
24"W x 18"D x 42"H

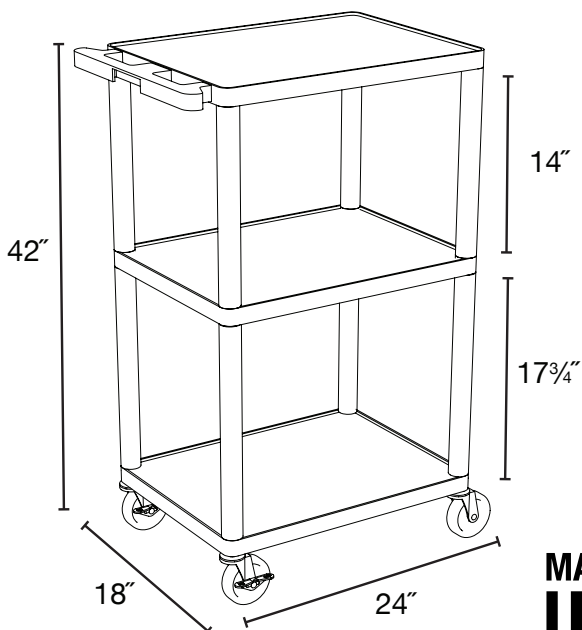


UCPL2E-B
24"W x 18"D x 42"H



UCPL2LE-B
24"W x 18"D x 42"H

- Versatile design and high-quality construction makes it perfect for use in a wide range of applications
- Measures 24"W x 18"D x 42"H
- .25" retaining lip borders flat shelves to ensure minimal sliding
- Configurations for front pullout shelf, side pullout shelf and cabinet
- Ergonomic push handle molded into top shelf features an integrated cord wrap
- Four 4" Heavy-Duty non-marring casters, two with locking brakes, for mobility and stability
- Molded plastic shelves and legs won't stain, scratch, dent, or rust
- Three-outlet power strip with 15' cord and cord management system helps keep cart clutter free
- Maximum weight capacity of 300 lbs. total (100 lbs. per shelf, evenly distributed)



**MADE IN
USA**