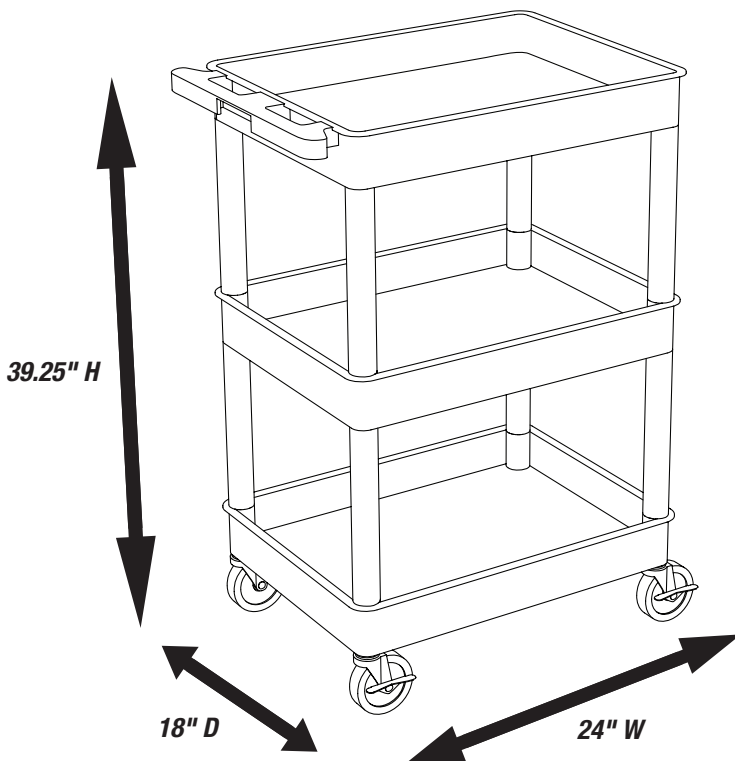


STC111-B - TUB CART - THREE SHELVES

Product Specifications:

Item Number	STC111-B
Material	Injection Molded Thermoplastic Resin Legs: Polyvinyl Chloride (PVC) Shelves: High Density Polyethylene (HDPE)
Color Options	Black, Gray, Red, Blue
Cart Dimensions	24" W x 18" D x 39.25" H
Weight	22.2 lbs.
Shelf Quantity	3
Shelf Dimensions	24" W x 18" D
Shelf Depth	2.75"
Distance Between Shelves	12"
Casters (4)	4" casters; two casters include locking brakes
Weight Capacity	100 lbs. per shelf, evenly-distributed
Made in USA	Yes
Ship Method	Ground
Shipping Carton Dims	1 carton; 28" W x 20" D x 13" H
Shipping Weight	25 lbs.
Assembly Required	Yes (minimal)



To Order, Call Your
Sales Representative
or 800-323-4656