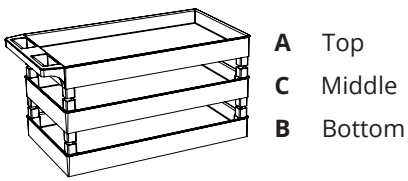
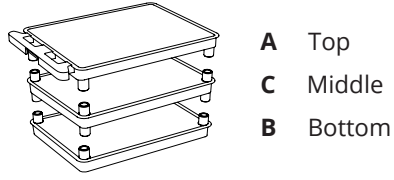


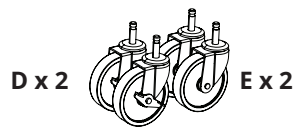
PARTS KEY:



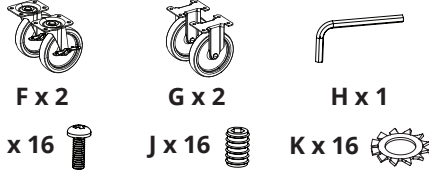
Tub Shelves*
(SEC, EC, STC, and TC models)



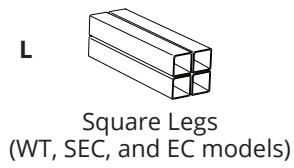
Flat Shelves*
(BC, HE, HC, LE, LP, and WT models)



4" Standard Casters
(All models except for ECHD and XLC)



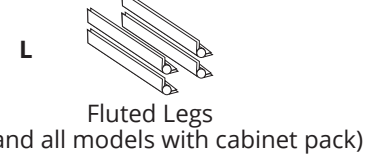
5" Heavy-Duty Casters + Hardware
(ECHD and XLC models)



Square Legs
(WT, SEC, and EC models)

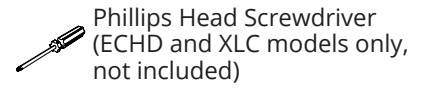
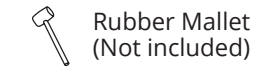


Round Legs
(LE, LP, STC, TC, and BC models)



Fluted Legs
(XLC and all models with cabinet pack)

REQUIRED TOOLS:



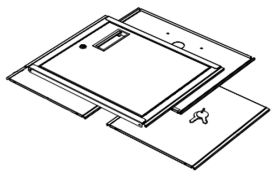
IMPORTANT:

If your cart includes options such as a power strip, pullout shelf, locking drawer, or locking cabinet, installation instructions for those components will be included in their packaging.

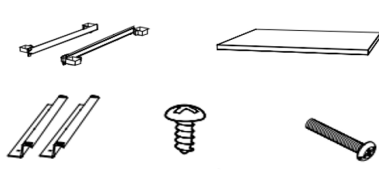
*NOTE:

Some BC, STC, and TC models come with a mix of flat and tub shelves.

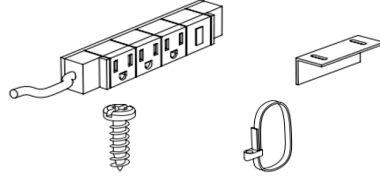
OPTIONAL ACCESSORIES: (If your cart includes one or more of the optional accessories shown below, separate installation instructions are enclosed with each accessory.)



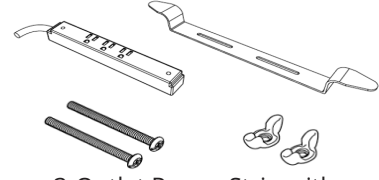
Cabinet Pack



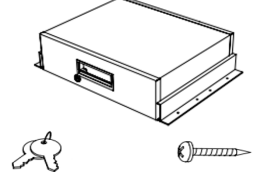
Pullout Shelf + Hardware



3-Outlet Power Strip + Hardware



3-Outlet Power Strip with
Cord Wrap + Hardware



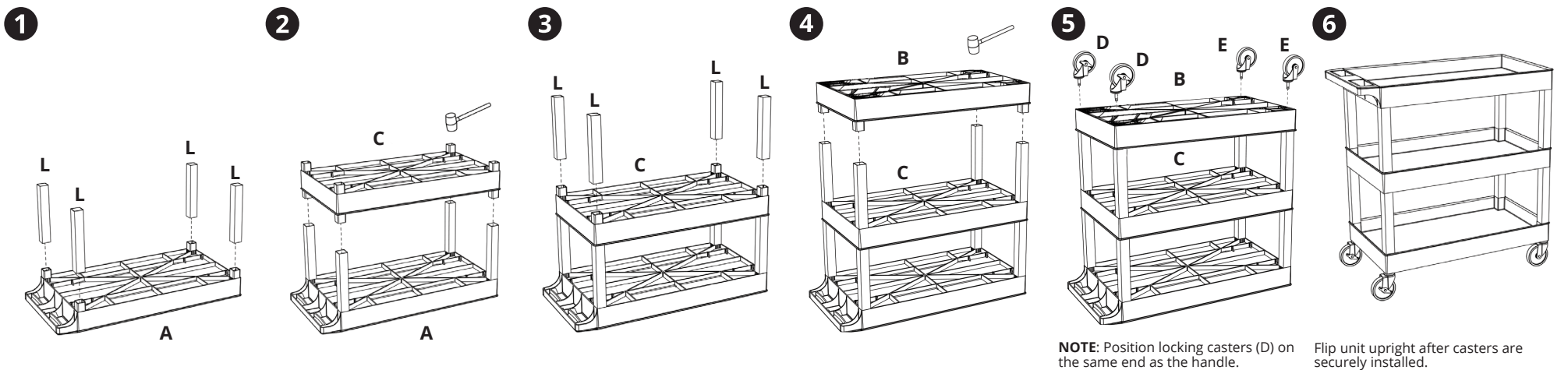
Locking Drawer + Hardware

WHAT'S IN THE BOX:

Part	Standard 2-Shelf	Standard 3-Shelf	Standard 4-Shelf	Standard 5-Shelf	Standard 6-Shelf	Heavy-Duty 2-Shelf	Heavy Duty 3-Shelf
Top Shelf (A)	1	1	1	1	1	1	1
Bottom Shelf (B)	1	1	1	1	1	1	1
Middle Shelf (C)	0	1	2	3	4	0	1
Locking 4" Caster (D)	2	2	2	2	2	0	0
Non-Locking 4" Caster (E)	2	2	2	2	2	0	0
Locking 5" HD Caster (F)	0	0	0	0	0	2	2
Non-Locking 5" HD Caster (G)	0	0	0	0	0	2	2
Allen Wrench (H)	0	0	0	0	0	1	1
Threaded Insert (I)	0	0	0	0	0	16	16
Threaded Screw (J)	0	0	0	0	0	16	16
Star Washer (K)	0	0	0	0	0	16	16
Legs (L)	4	8	12	16	20	4	8

ASSEMBLY INSTRUCTIONS:

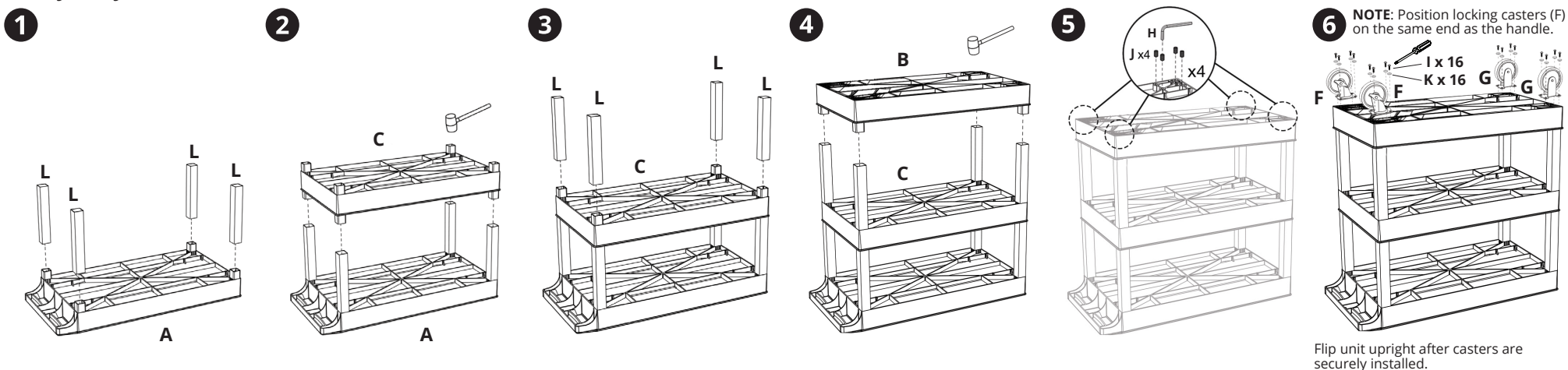
Standard Models



NOTE: Position locking casters (D) on the same end as the handle.

Flip unit upright after casters are securely installed.

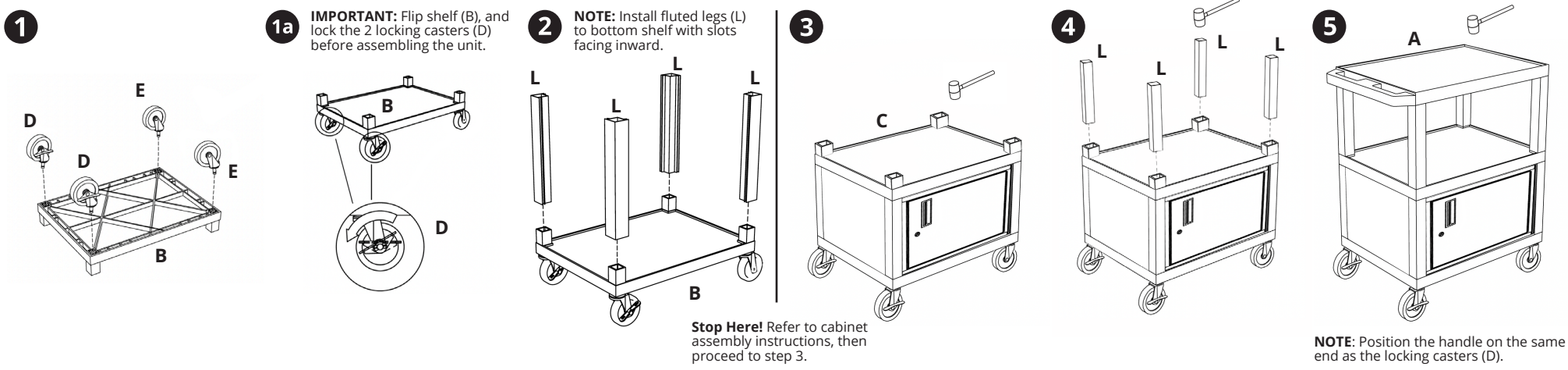
Heavy-Duty Models



NOTE: Position locking casters (F) on the same end as the handle.

Flip unit upright after casters are securely installed.

Cabinet Pack Models



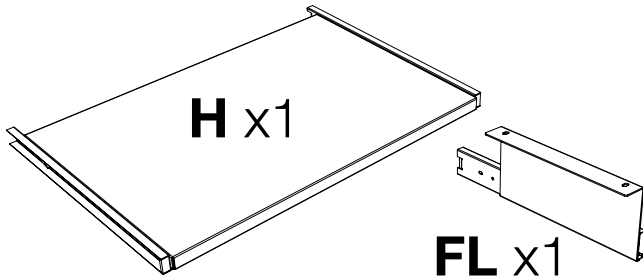
1a IMPORTANT: Flip shelf (B), and lock the 2 locking casters (D) before assembling the unit.

2 NOTE: Install fluted legs (L) to bottom shelf with slots facing inward.

Stop Here! Refer to cabinet assembly instructions, then proceed to step 3.

NOTE: Position the handle on the same end as the locking casters (D).

Parts List



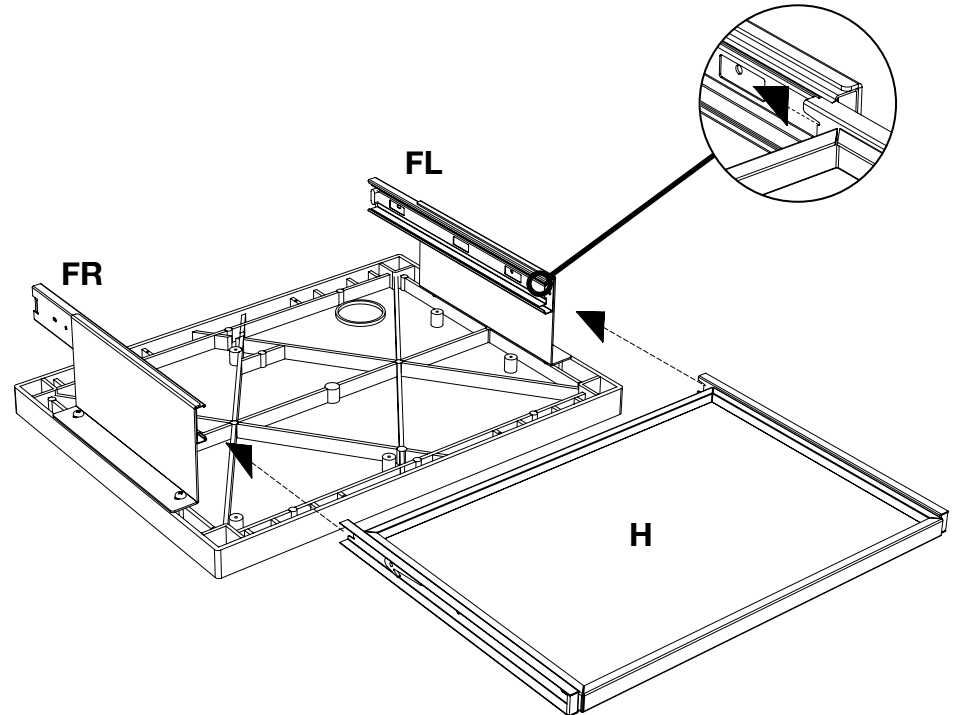
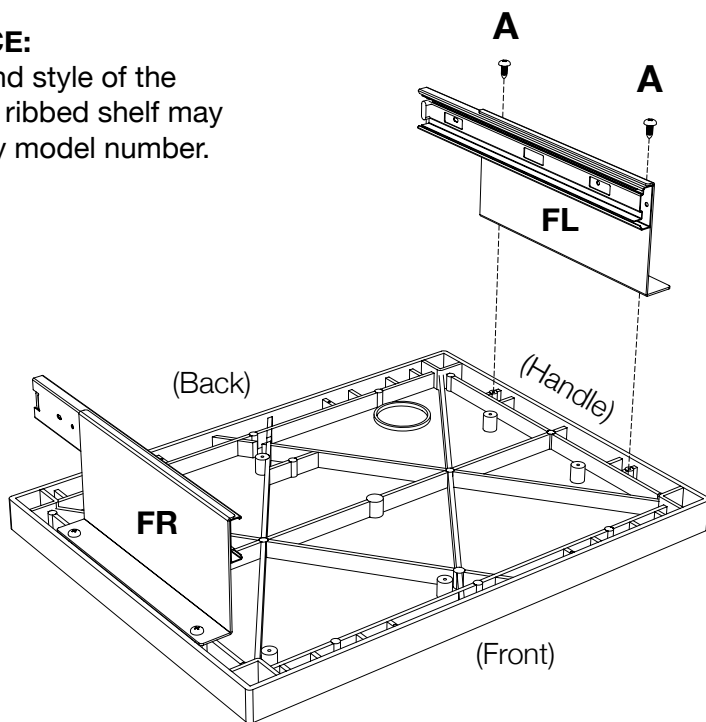
Tools Required

- Phillips Screwdriver



NOTICE:

Size and style of the plastic ribbed shelf may vary by model number.

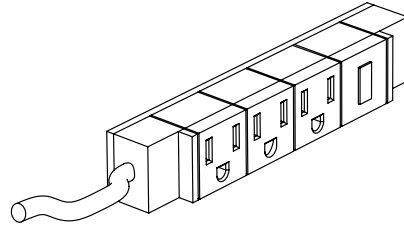


Take the top shelf of your plastic cart and lay it flat. Collect parts: **FL**, **FR** & **A**. Align **FR** & **FL** to the outer holes at the top of the shelf. Take screw **A** and fasten with a screwdriver, do not tighten fully until keyboard is attached.

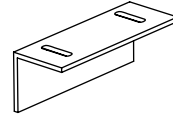
Collect parts: **H**. Align the pullout shelf **H** runner so that the runner snaps into place into the **FL** & **FR** brackets. Pull the shelf out to make sure it is fully seated. Tighten screws **A**. Pullout keyboard shelf assembly is now complete.

LP + LE Electrical Assembly Instructions

Parts List



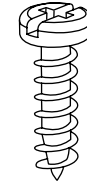
F x1



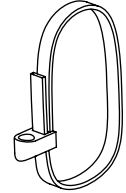
G x1

Tools Required

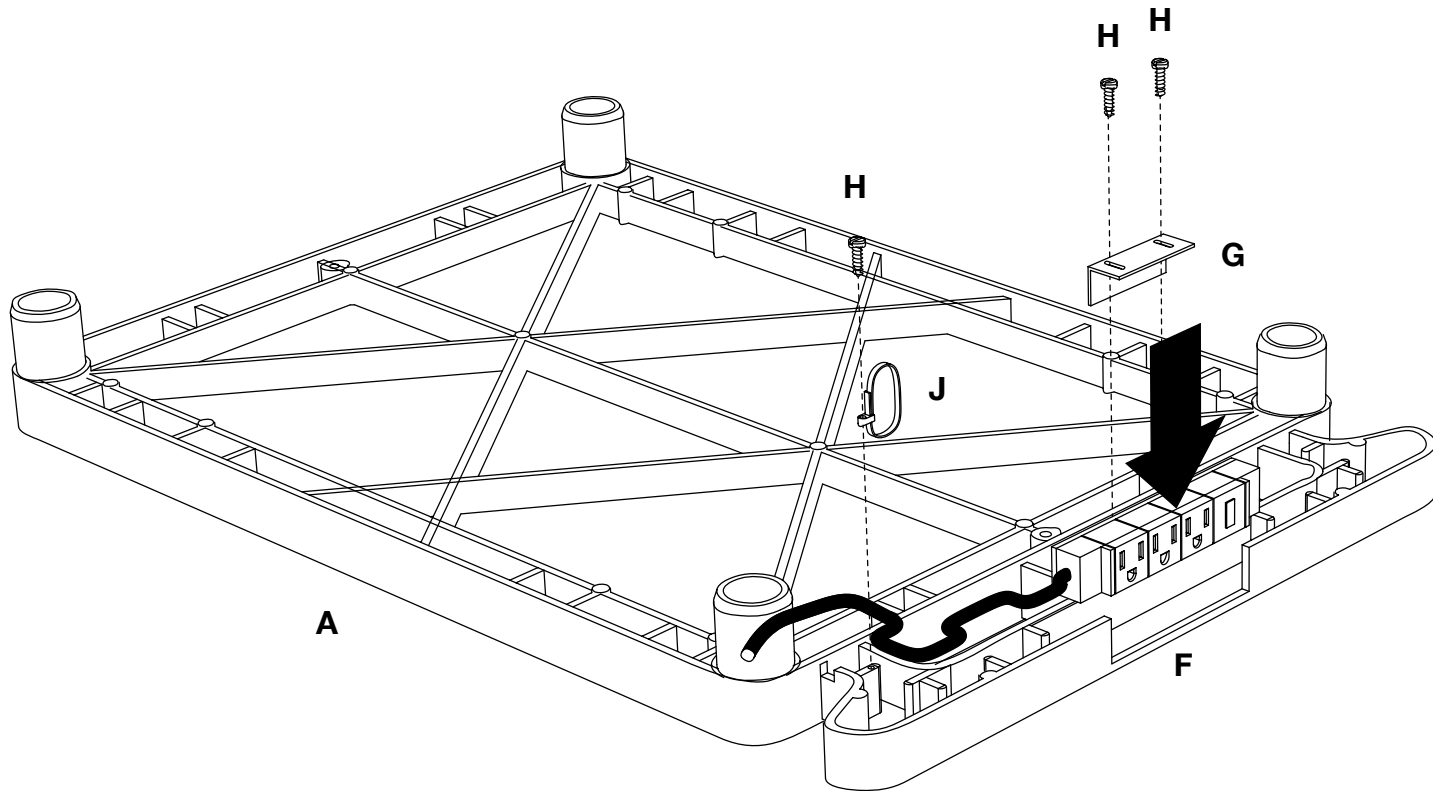
- Philips Screwdriver



H x3



J x1



1

Attach electric outlet **F** to top shelf **A**, secure with L bracket **G** and cable lock **J**. Loop outlet cable **F** through cable lock **J** and the inserts on shelf **A**. Screw L bracket **G** and cable lock **J** onto top shelf **A** with screw **H** and a philips screwdriver.