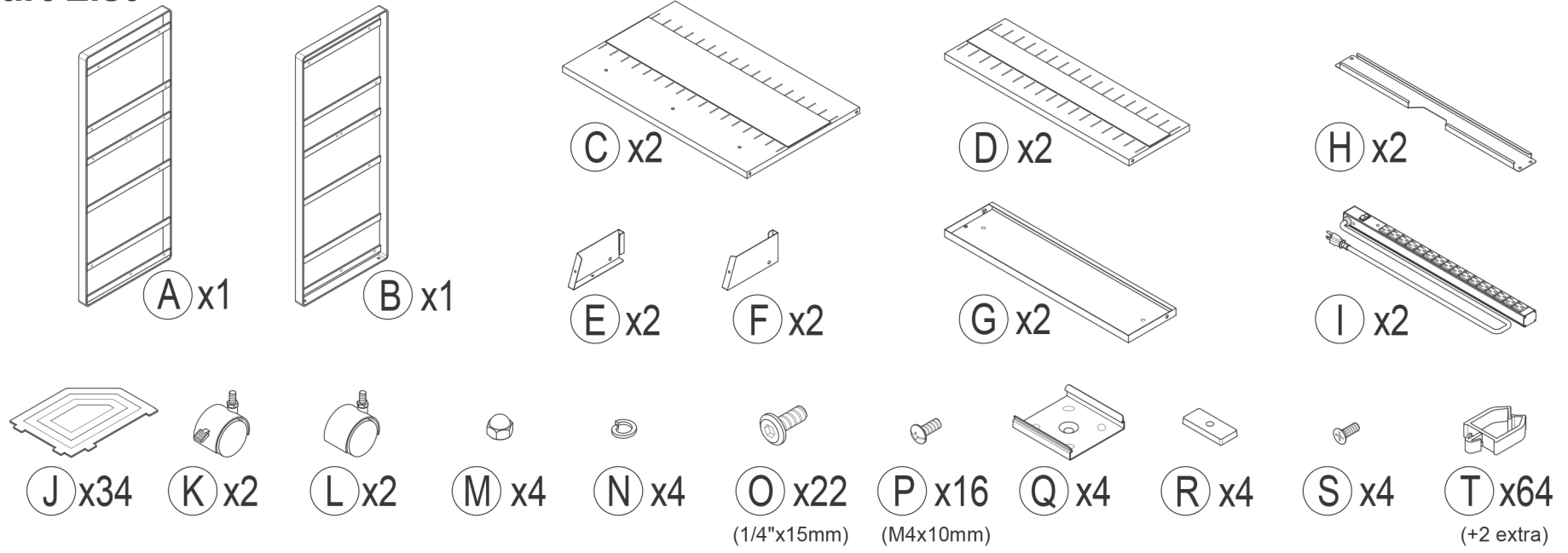


Part List



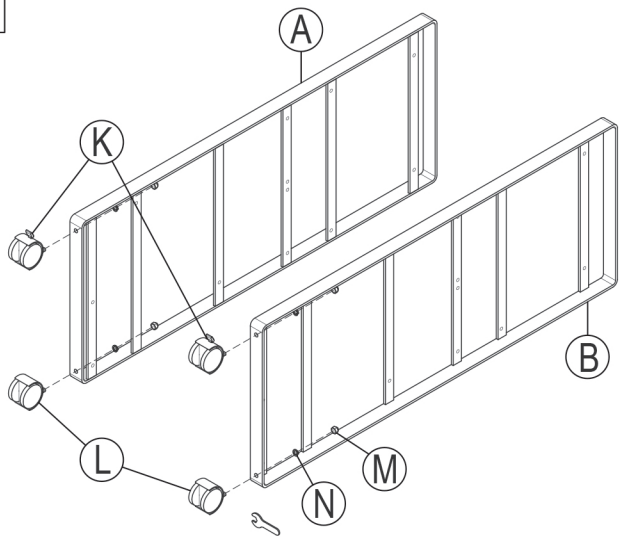
Tools Included:



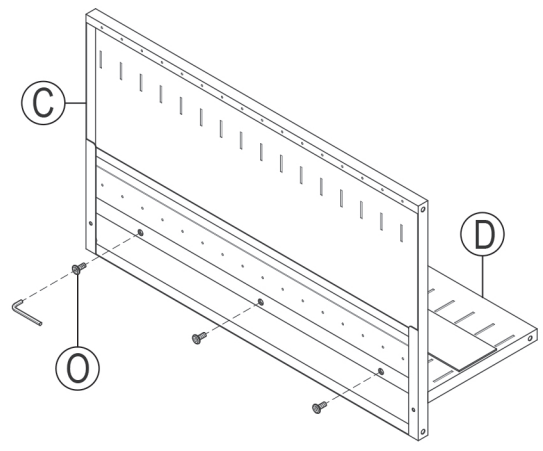
Tools Needed:



1



2



3

