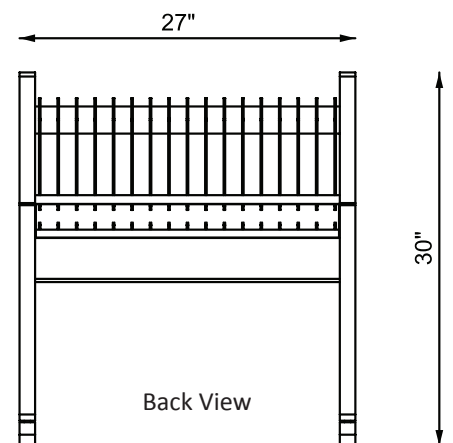
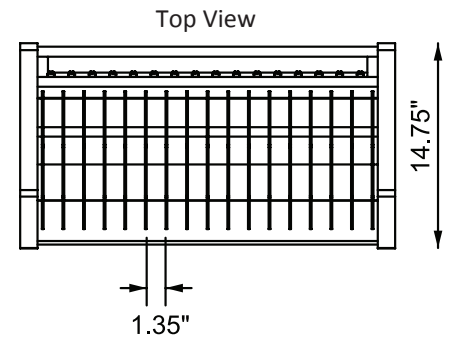
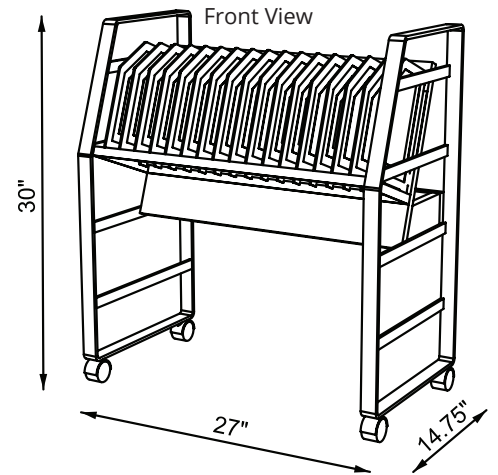


LOTM16

16 Unit Open Tablet/Chromebook Charging Cart

Product Specifications

Item Number	LOTM16
Material	Steel
Color Finish	Gray & White
Capacity	16 Chromebooks or tablets
Cart Dimensions	27" W x 14.75" D x 30" H
Weight	37 lbs.
Shelf Quantity	1
Divider Make	Plastic (High Impact Polystyrene)
Divider Distance	1.35" W with 1.25" space between dividers
Divider Slot Dimensions	1.35" W x 8" D x 10.43" H
Electrical Tray Dimensions:	Bottom of Tray: 6.8" D x 24.4" W Top of Tray (opening): 6.1" D x 24.4" W Height of Tray: 3.25" H
Cord Length	10'
Cable Management	Two cord clips per divider
Casters (4)	1.6" casters; two with locking brakes
Weight Capacity	75 lbs.
Power	16-outlet horizontal power strip; UL and cUL Listed
Voltage	120V/15A
Ship Method	Ground
Shipping Carton Dims	1 carton; 33" W x 18" D x 5.25" H
Shipping Weight	41 lbs.
Assembly Required	Yes



Special Note:

Due to the latest, larger size of the 20W Apple iPad and Samsung Chromebook USB-C charging block adapters, only half of the available plug outlets are accessible in this unit. If you are using these power adapters, please contact Luxor customer service for the availability of special adapter cords that can be used to regain access to all charging plugs.

To Order, Call Your Sales Representative or 800-323-4656