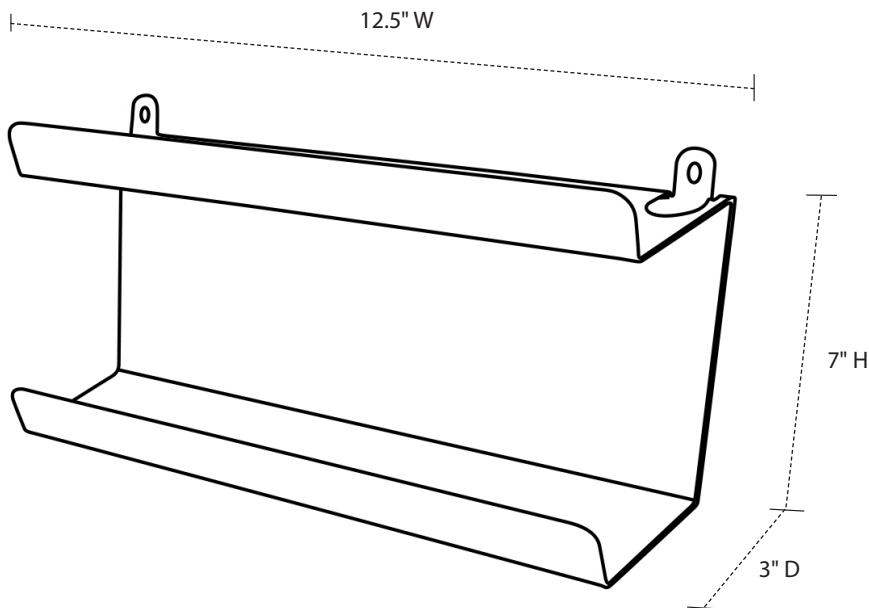


# LLTM30-PBAY POWER BRICK HOLDERS FOR THE LLTM30-B

## Product Specifications

Item Number	LLTM30-PBAY
Quantity	2 Power Brick Holders included
Dimensions	12.5"W x 7"H x 3"D (Single Power Brick Holder)
Actual Weight	3 lbs. for a single Holder, 6 lbs. for both
Material	Powder Coated Steel
Color Finish	Black
Shipping Dimensions	18"W x 13"H x 3"D
Shipping Weight	10 lbs.
Hardware Included	None - LLTM30-B Required



To Order, Call Your  
Sales Representative  
or 800-323-4656