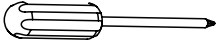


# LUXOR WORKSPACES

www.luxorworkspaces.com  
800-323-4656

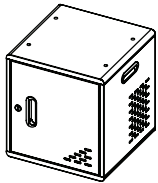
## LLMC10 Modular Charging Cabinet Assembly Instructions

**Tools Required:**  
Phillips Head Screwdriver



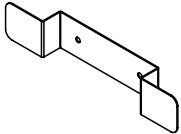
### Parts Key

**A x1**



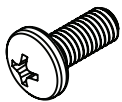
Charging Cabinet

**B x1**



Cord Wrap

**C x2**



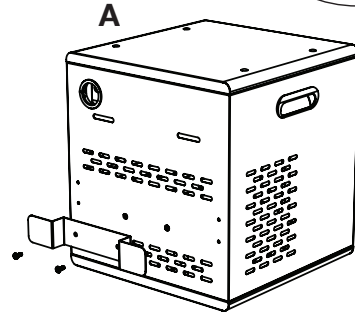
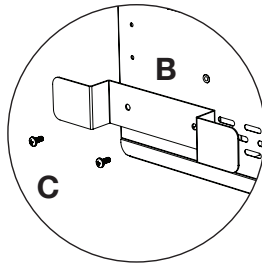
Bolt,  
Phillips Head

**D x4**

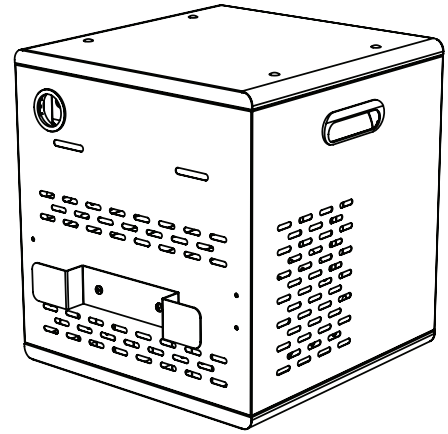


Thumbscrew

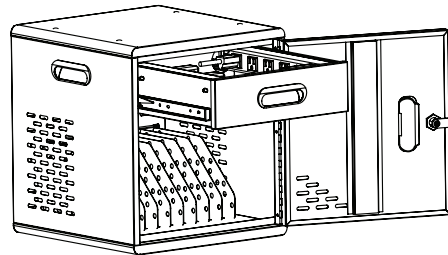
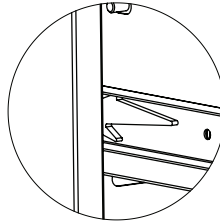
- 1** Position cord wrap on the rear of the cabinet, over the corresponding threaded mount holes.



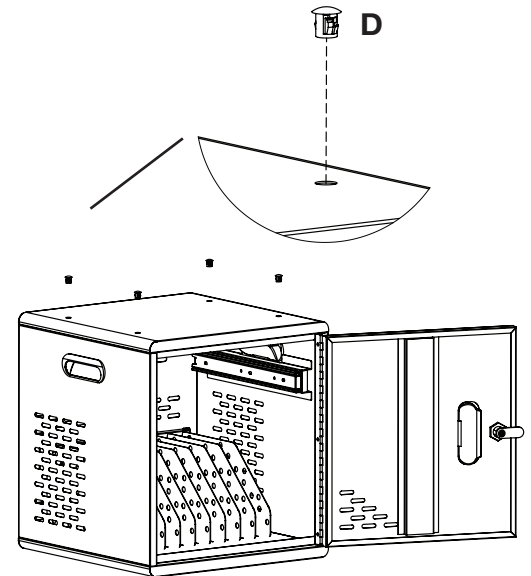
- 2** Insert each bolt into a lock washer, then a flat washer, then use to attach the casters to the Dolly.



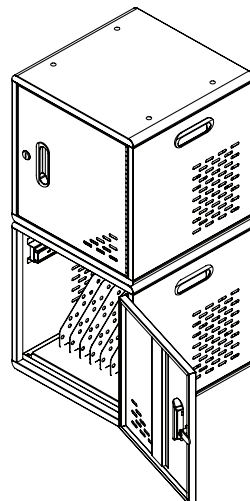
- 3** Remove the drawer from the bottom/lower cabinet by pressing the release lever on each side of the drawer track.



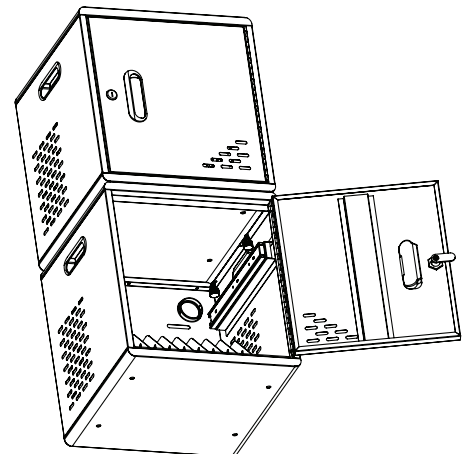
- 4** Remove the rubber caps from the top of the cabinet.



- 5** Position a second cabinet on top, aligning the threaded mount holes.

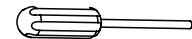


- 6** Using the thumbscrews attach the lower Cabinet to the upper Cabinet.



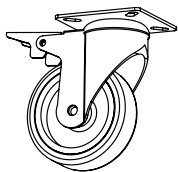
## LLMCSP Modular Charging Cabinet - Single Dolly Assembly Instructions

Tools Required:  
Phillips Head  
Screwdriver



### Parts Key

A x2



Caster, Locking

B x2



Caster, Non-Locking

C x16



Bolt, Phillips Head

D x16



Lock Washer

E x16



Flat Washer

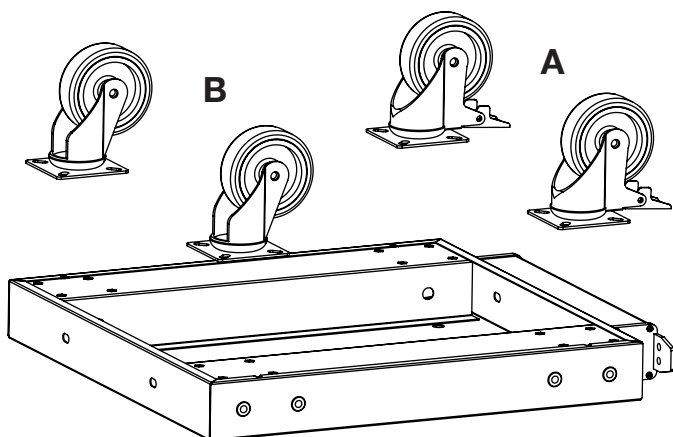
F x4



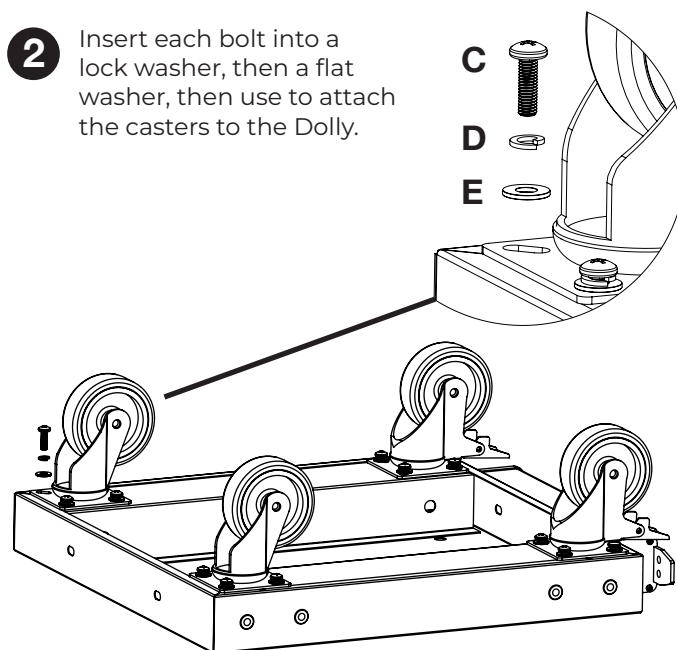
Thumbscrew

- 1** Flip the Dolly over and position the casters over the corresponding threaded mount holes.

**IMPORTANT:** Position the locking casters on the end next to the power strip.

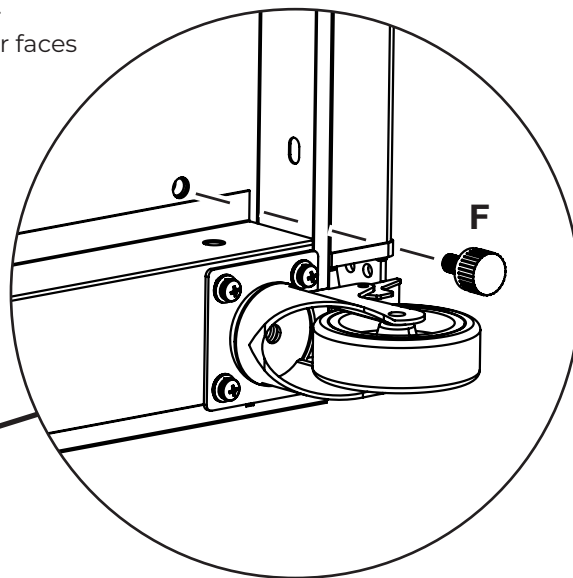
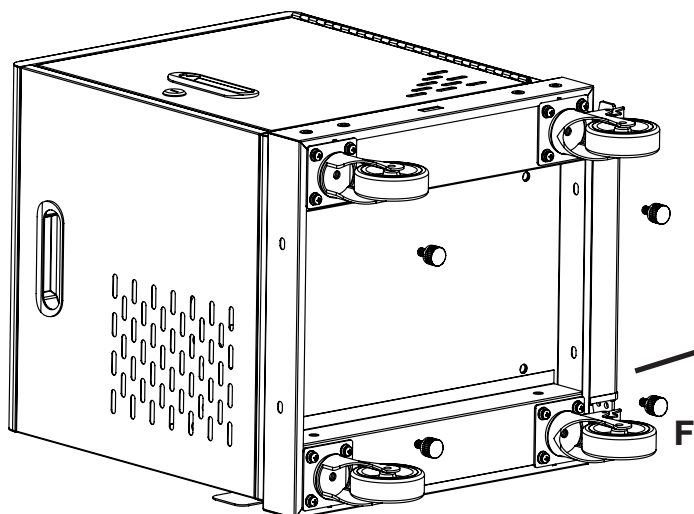


- 2** Insert each bolt into a lock washer, then a flat washer, then use to attach the casters to the Dolly.



- 3** Using the thumbscrews, attach the Modular Charging Cabinet.

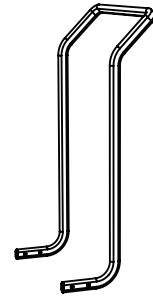
**IMPORTANT:** Position the Charging Cabinet so the cabinet door faces perpendicular to the edge of the Dolly with the power strip.



## LLMCPH Modular Charging Cabinet – Dolly Handle Assembly Instructions

### Parts Key

A x1



Handle

B x4



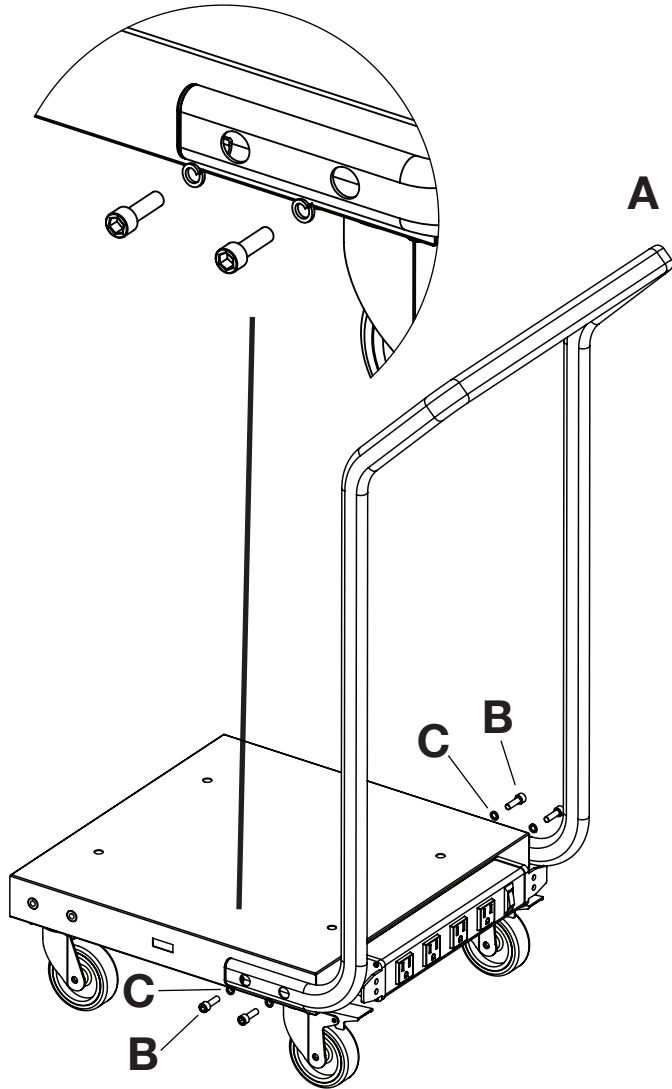
Bolt, Socket Head

C x4



Split Washer

- 1** Line the handle up with the corresponding threaded mount holes on the sides of the Dolly.
- NOTE:** While the handle can be attached to either end, it's generally best to attach the handle to the end with the power strip and caster locks.



- 2** Use the socket head bolts and split washers to attach the handle to the Dolly.

