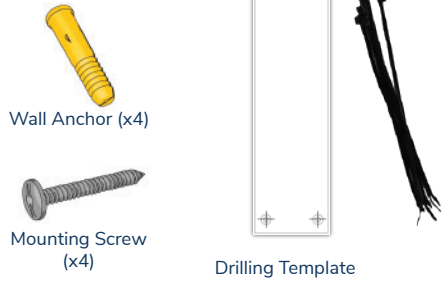


**Included Hardware:**



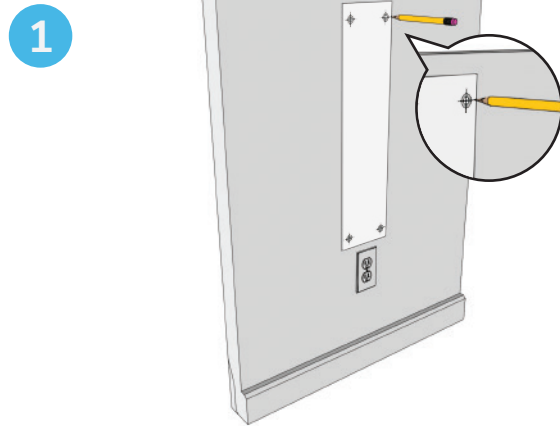
**Required Hardware:**



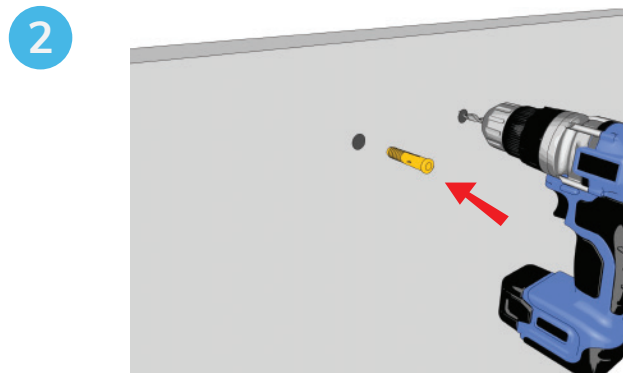
**Installation Tips:**

Use the lines on the drilling template to make sure the unit is level.

**Assembly:**



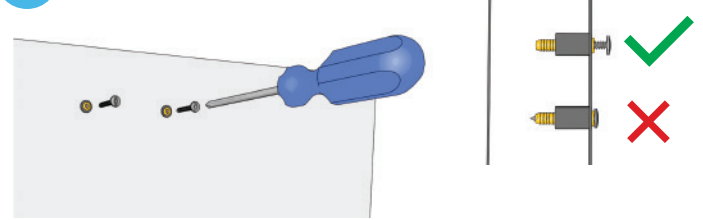
Using the drilling template, mark the location of the charging hub.  
**TIP:** Place the hub directly above an available wall outlet, if possible.



Using the markings created with the drilling template, drill 4 holes with a 3/16" drill bit. After drilling, insert a plastic wall anchor into each of the holes.

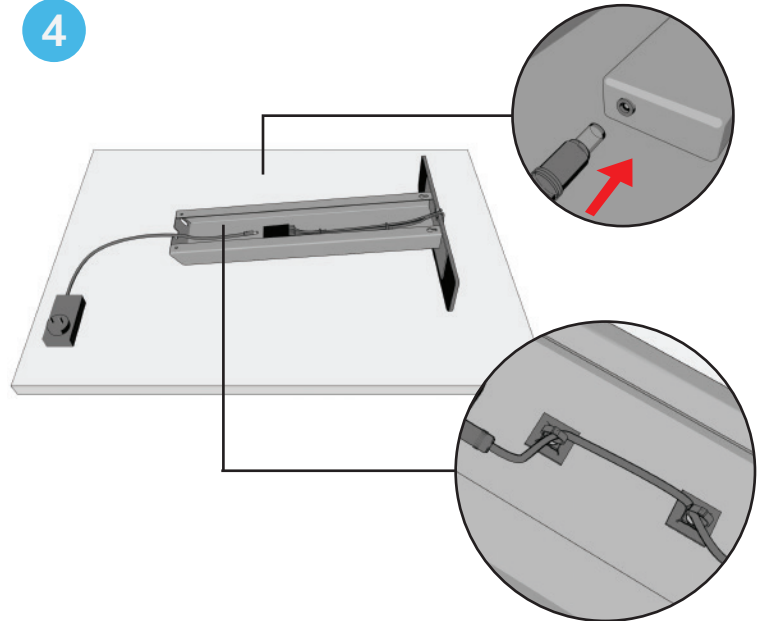
**IMPORTANT:** Phone/tablet charging only.  
Not compatible with laptops.

**3**



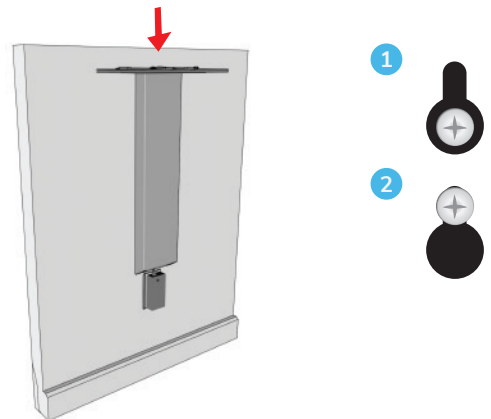
Drive mounting screws into the top two wall anchors. Do not drive them until they are flush against the wall. Leave a gap of approximately 1/8".

**4**



Set the charging station face down on a flat surface. Connect the power supply then secure the cord to the inside of the column using the supplied zip ties and pads.

**5**



Align the keyholes on the top rear of the column to the mounting screws on the wall. Slide the unit down so the screws sit snugly inside the keyholes, as shown. Once properly positioned, the mount holes at the bottom of the column should line up with the remaining 2 wall anchors. Once aligned, secure the charging station using the remaining mounting screws.

Once mounting is complete, plug the power supply into a wall outlet.

**Need more info?**

kwikboost.com • 800.676.4278 • support@kwikboost.com