



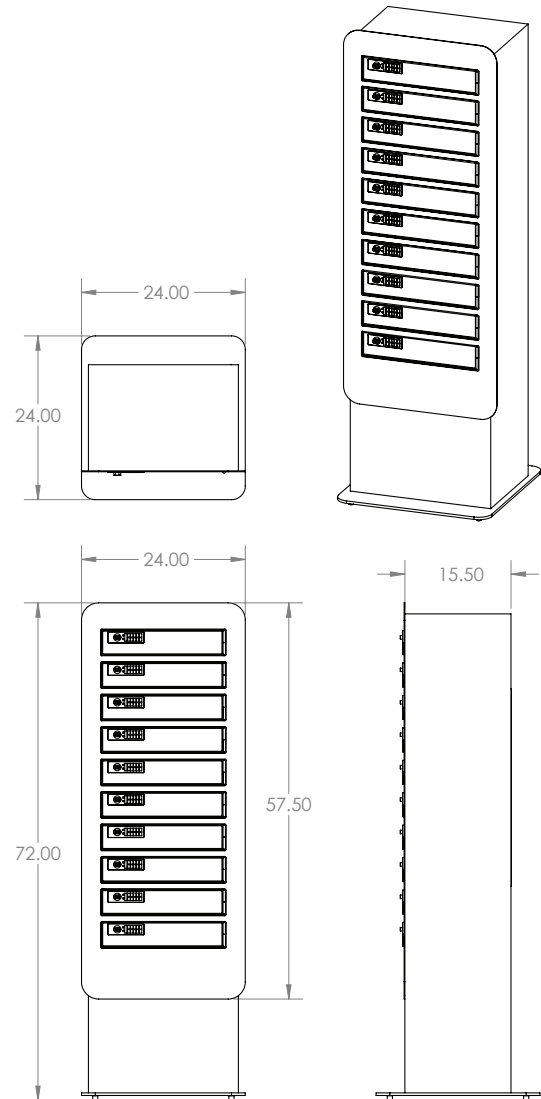
Product features:

- Lifetime warranty
- Custom graphics included
- Digital keypad locks with user generated codes
- Easy set up - works with standard outlet
- Constructed of aluminum & steel
- Made in USA

Product specifications:

- Cables: 6 lightning, 4 micro, 6 type c
- 5V, 2.4A per port
- Unit dimensions: 63"x24"x24"
- Unit weight: 200lbs
- Certified:  





Product features:

- Lifetime warranty
- Custom graphics included
- Digital keypad locks with user generated codes
- Easy set up - works with standard outlet
- Constructed of aluminum & steel
- Made in USA

Product specifications:

- Cables: 8 lightning, 4 micro, 8 type c
- 5V, 2.4A per port
- Unit dimensions: 72"x24"x24"
- Unit weight: 200lbs
- Certified: 