

Included tools:



Qty.1

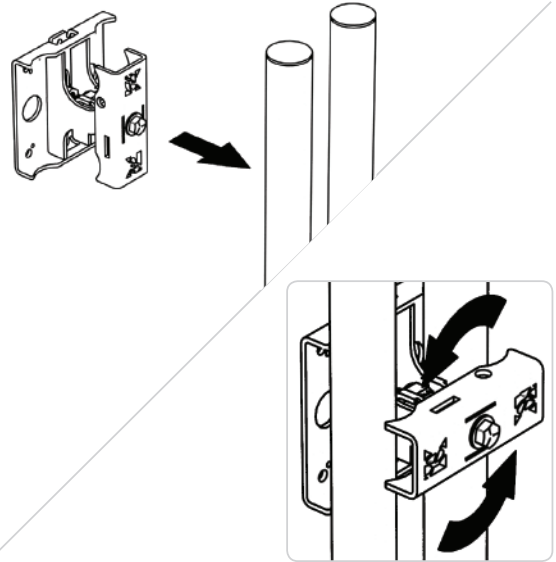
Installation Tips:

- This Installation requires two people to complete

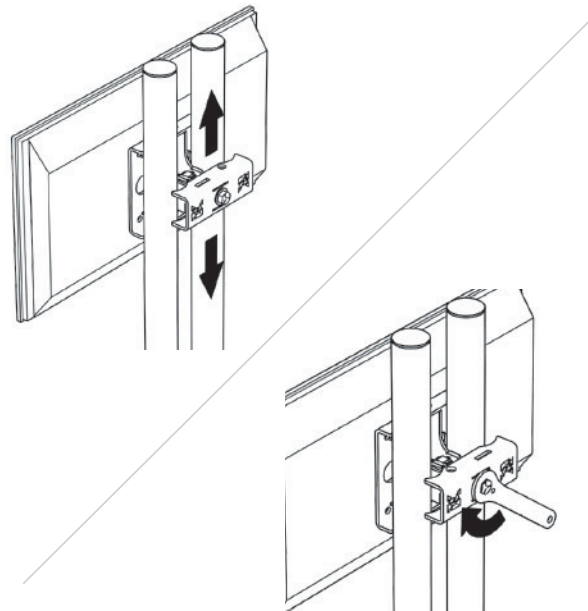
Included Products:



- 1 Take the mounting bracket and slide it between the stand poles attached to the base and twist to secure.



- 2 Adjust bracket to desired height and lock into place with provided wrench.



- 3 Once the locker is attached and at your desired height, feed the power cord through the pole so that it exist near the bottom of the stand. Plug into any regular outlet to power the locker.

Need more info?